

# CaBano

## #28311

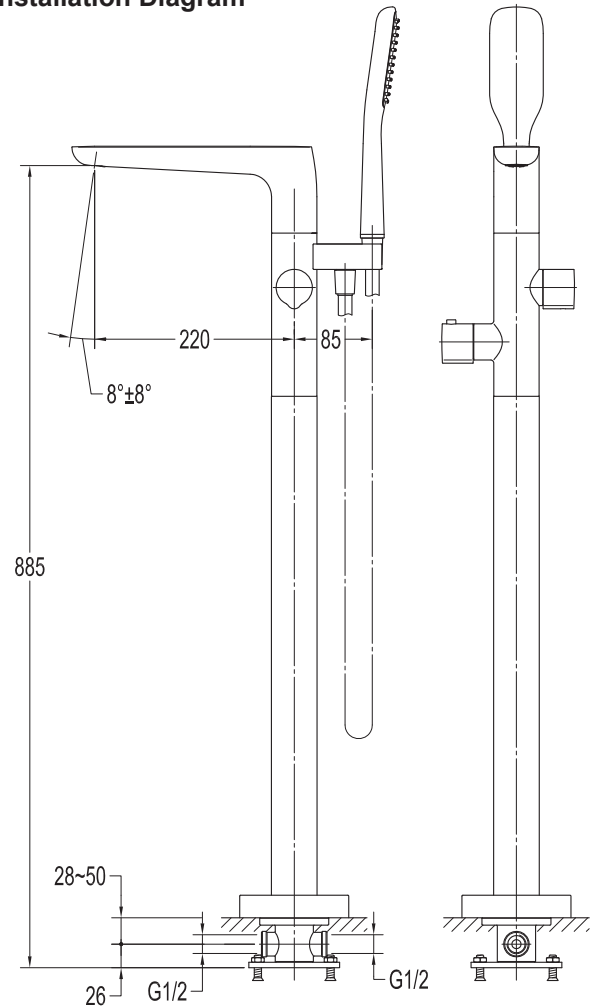
Thermostatic floor mount tub filler with hand shower

### INSTALLATION GUIDE



Last revision: October 23rd

### III. Installation Diagram



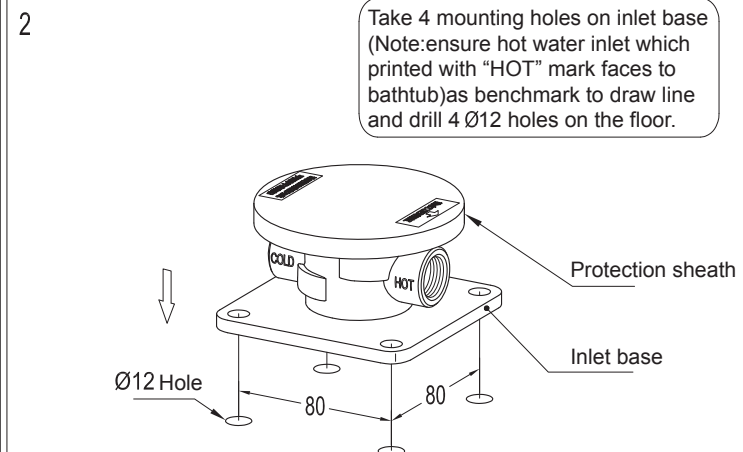
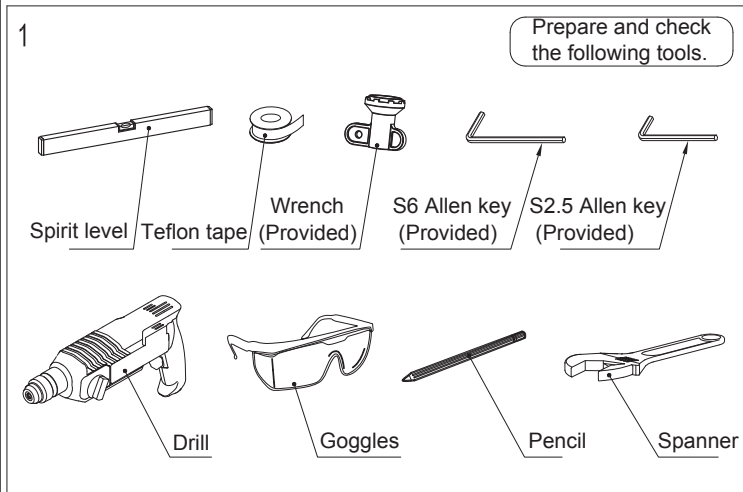
### I. Installation Notice

1. Install water supply lines in accordance with this manual.
2. Floor drain should be installed in the location of the faucet.
3. Install the faucet(except inlet base) only after the completion of house interior decoration in case paint or other chemicals erode the faucet surface. Before this, do not remove protection sheath for inlet base.
4. Clean pipes to get rid of mud blocked in pipes before installation.
5. If the thread of pipes don't match well with product, please find out the reason first, otherwise a forced connection will damage the faucet.
6. After installation, check all the joints to make sure they are firmly connected. Then keep water flow. Turn on and off repeatedly to ensure there is no leakage around the joints. At this stage, the product is ready for normal use.
7. Keep the manual to the user.

### II. Operation Notice

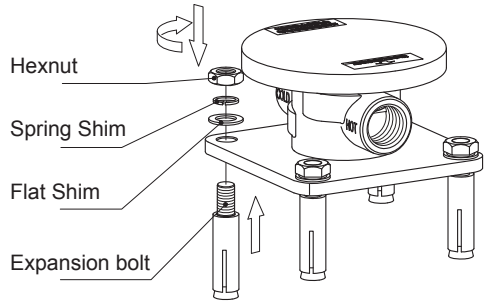
1. The working condition of this product is cold water 4~29°C, hot water 55~85°C and water pressure 0.05~1.0MPa. Note to avoid the high differential pressure between hot water and cold water. The thermostatic cartridge is preferable under the condition of water pressure 0.3MPa, hot water 65°C and cold water 15°C. The main valve should with filter net.
2. Do not hang heavy things on the faucet.
3. Make sure the faucet is off when no water comes out of it(especially when nobody resides in or during the period of decoration or suspend of water).
4. Regularly clean the surface of faucet to keep it bright. Attention: do not use inappropriate tools such as sharp brushes, rough sponges, scouring pads or corrosive detergent to clean the faucet, and we do not recommend that you use the detergent sold in the market, because its formula is changing frequently. Please clean the faucet by a wet cotton cloth with soapy water, then rinse and dry with a soft cotton cloth after each time of usage.
5. When the room temperature drops to below 0°C, take necessary measures (such as keeping faucet warm and closing windows) to prevent the faucet from being frozen or even broken(especially when windows kept open for air ventilation while nobody resides in).
6. Please open the cold and hot water in turn and adjust to suitable temperature before washing to avoid scald.
7. Do not disassemble the product unless you are an expert.

### IV. Installation Steps(Fig.1-14)



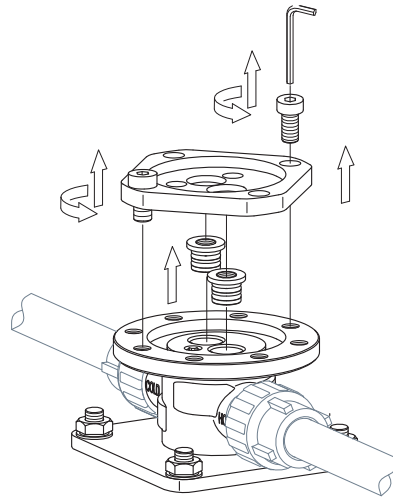
3

Install 4 expansion bolts to the inlet base and slightly tighten with hexnuts.



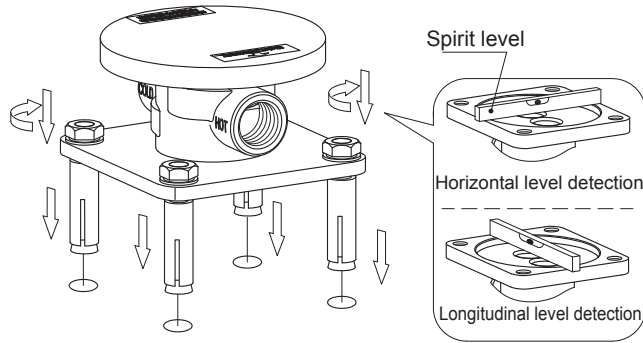
7

Unscrew locking screw, remove the flange and plug.



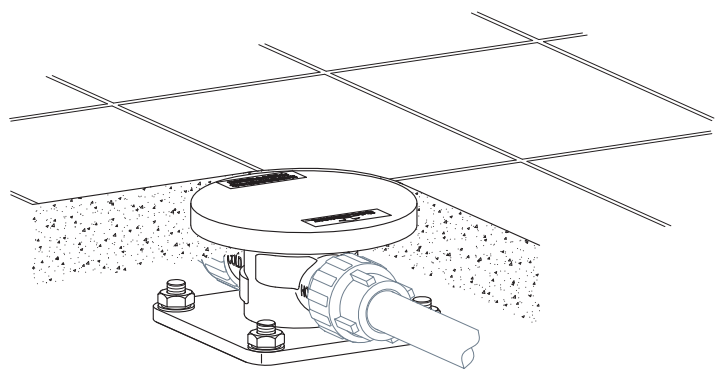
4

Insert expansion bolts into the holes on the floor (NOTE: hot water inlet which printed with "HOT" mark on inlet base faces to the bathtub), adjust the top surface of inlet base to level position with spirit level and tighten with hexnut.



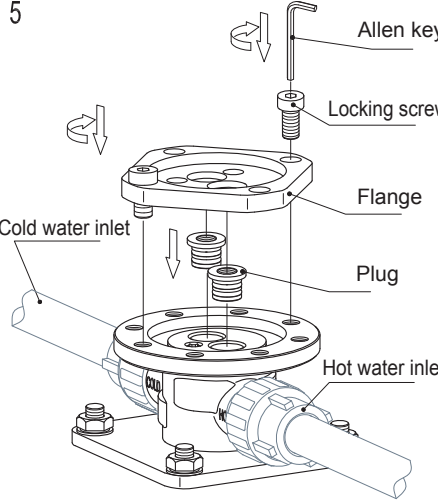
8

Put on protection sheath for paving floor tiles (NOTE: height of tiles should be at the same level or a bit higher than the top surface of protection sheath).



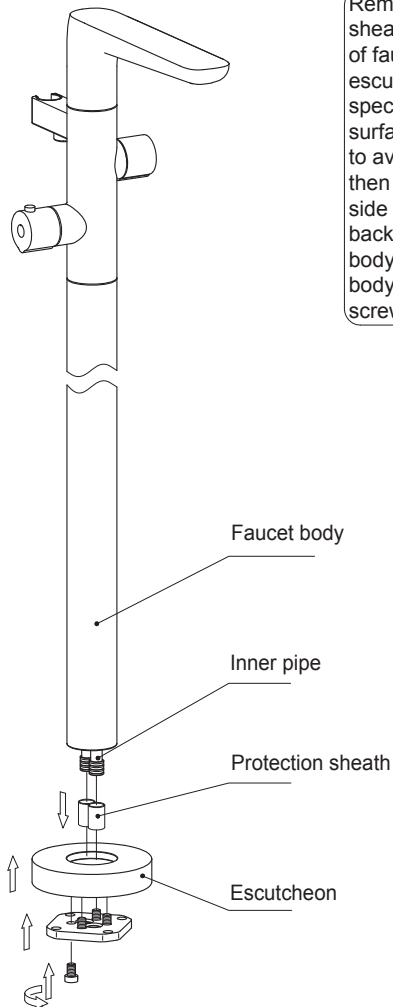
5

Connect inlet base with cold and hot water inlet, hot water inlet faces to bathtub, cold water inlet back against bathtub (Ensure correct installation as front hot and back cold, otherwise thermostatic cartridge will lose function and may cause scald), wrap connectors with teflon tape. Run water to get rid of dirt in pipes. Remove protection sheath, insert plug into the outlet of inlet base and tighten with flange (Note to keep the side with counter bore face upward).



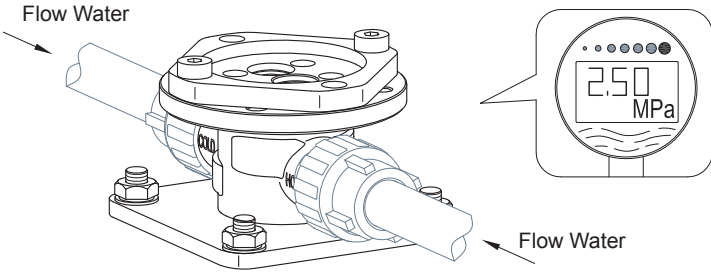
9

Remove protection sheath from inner pipe of faucet body, put on escutcheon lightly (pay special attention to the surface of faucet body to avoid scratching), then fix flange (keep the side with counter bore back against faucet body) firmly with locking screws.



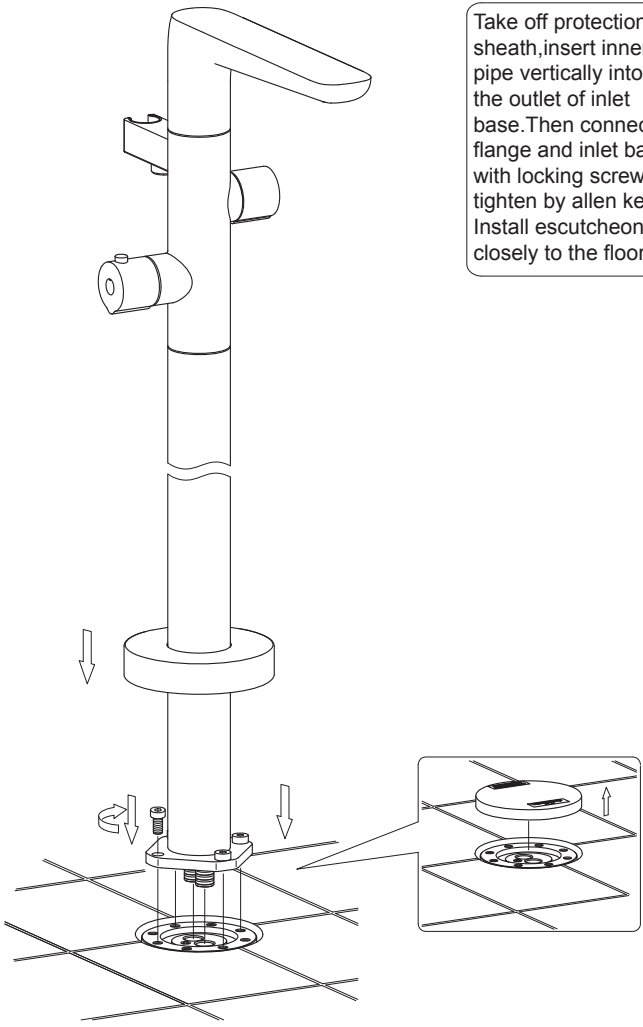
6

Run water for pressure testing, ensure each connection has no leakage occurs.



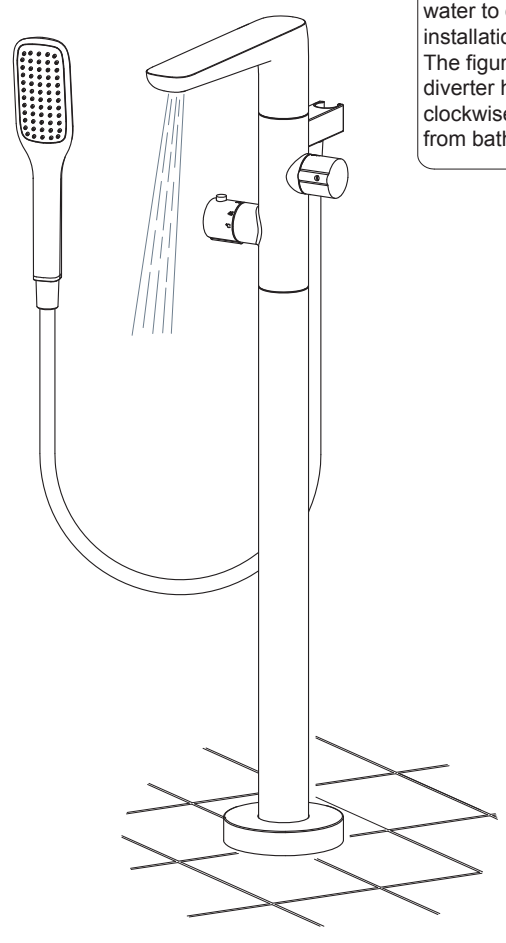
10

Take off protection sheath, insert inner pipe vertically into the outlet of inlet base. Then connect flange and inlet base with locking screws, tighten by allen key. Install escutcheon closely to the floor.



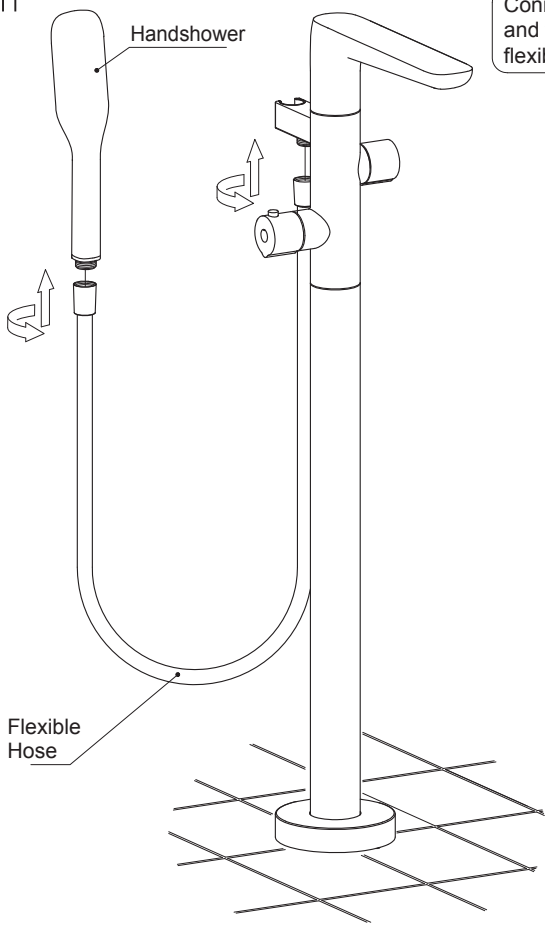
12

After installation, run water to check if the installation is qualified. The figure is for turns diverter handwheel clockwise, water runs from bath spout.



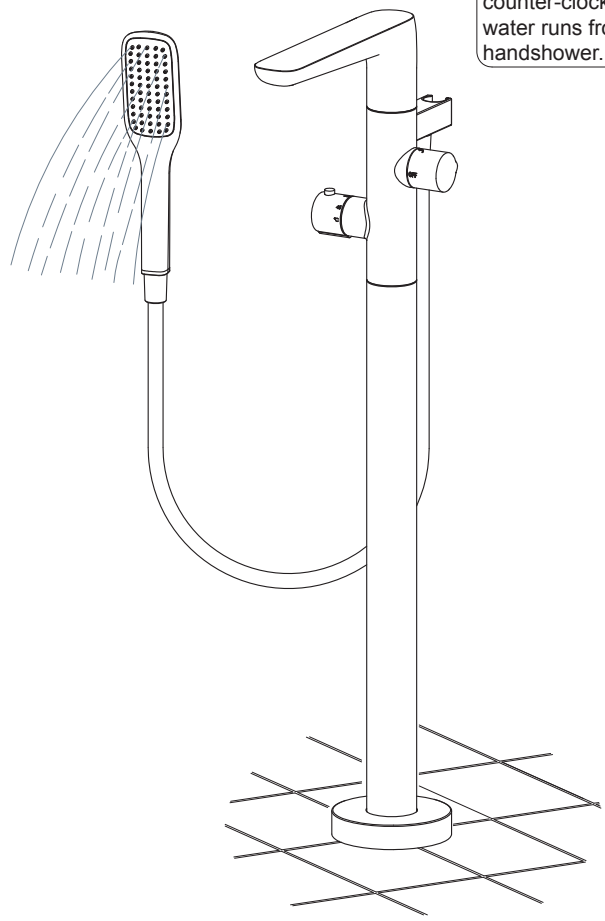
11

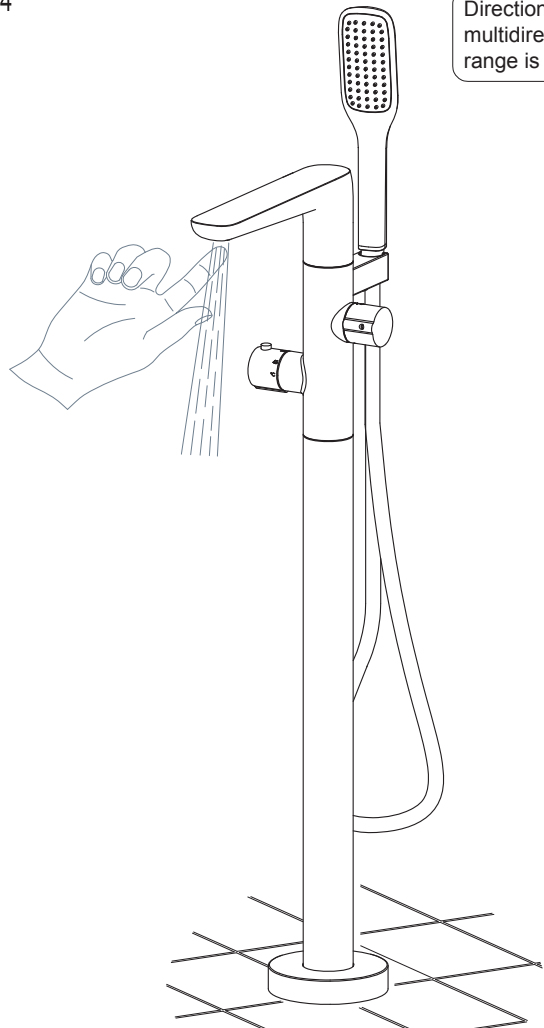
Connect handshower and faucet body with flexible hose.



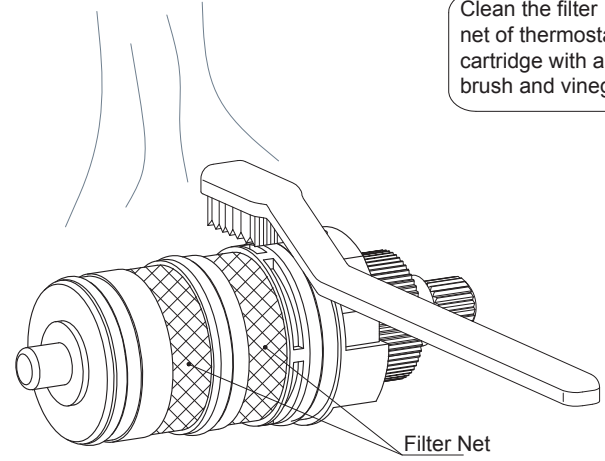
13

The figure is for turns diverter handwheel counter-clockwise, water runs from handshower.





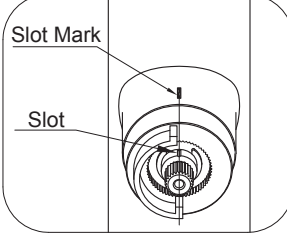
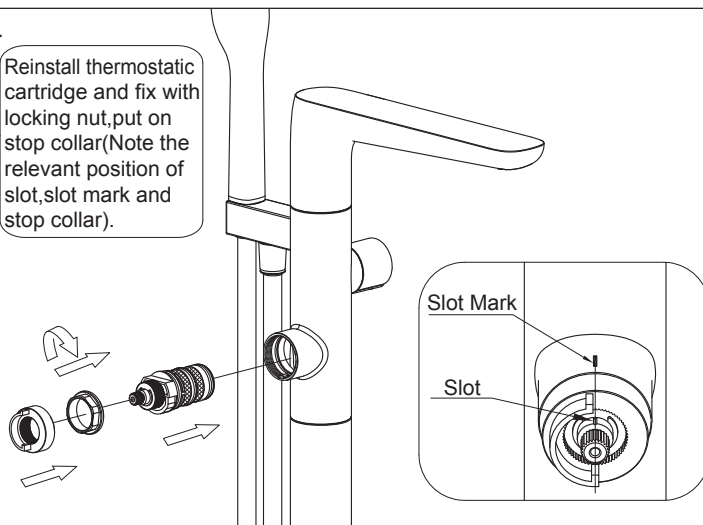
Direction of aerator is multidirectional, maximum range is  $\pm 8^\circ$ .



Clean the filter net of thermostatic cartridge with a brush and vinegar.

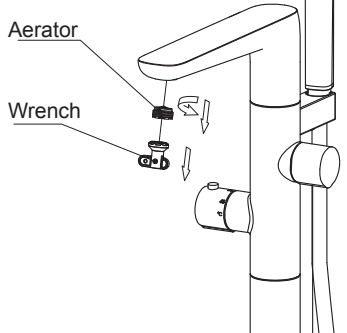
Filter Net

Reinstall thermostatic cartridge and fix with locking nut, put on stop collar (Note the relevant position of slot, slot mark and stop collar).



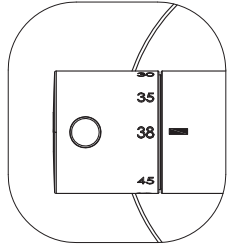
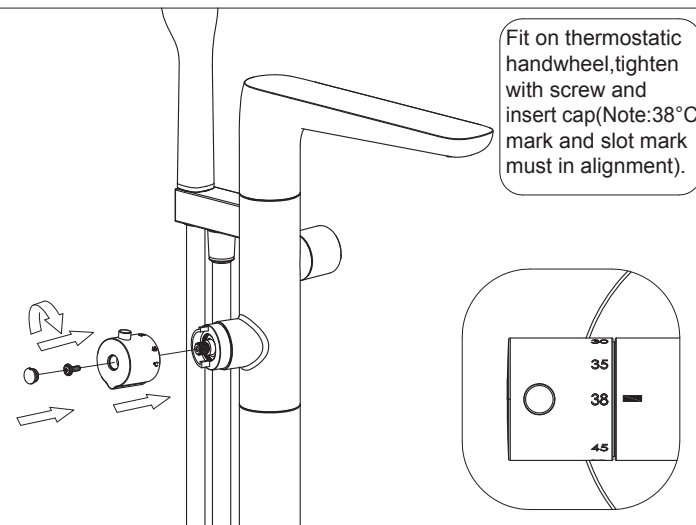
**V. Cleaning:**

If flow rate is lessened after a period of usage, possibly because poor water blocked the aerator, please clean as Fig 1:



Unscrew aerator by wrench, rinse the filter of aerator and install it back.

Fit on thermostatic handwheel, tighten with screw and insert cap (Note: 38°C mark and slot mark must in alignment).



If flow rate is still lessened or with irregular temperature, should clean the filter net of thermostatic cartridge. First turn off the main inlet valve, then clean as Fig 2-5:

Pick out the cap by a sharp point implement, remove screw, thermostatic handwheel, stop collar and locking nut, then pull out thermostatic cartridge.

